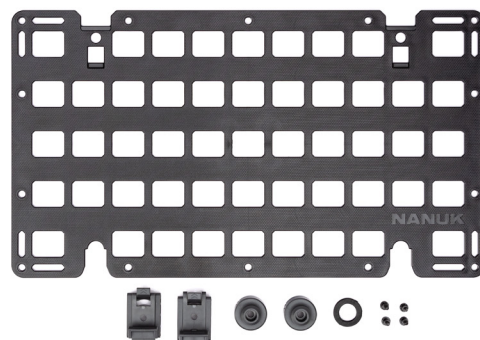


**Accessories sold separately*

Specifications

Height	10.5" 268mm
Width	18.6" 457mm
Weight	1.0 lb 0.45 kg



The Nanuk MOLLE Panel Kit for the 935 case enhances functionality by providing a versatile and secure attachment system for essential gear. Made from durable, lightweight resin, it seamlessly integrates with the case and allows for customizable layouts to optimize storage and accessibility. The kit is easy to install and transforms Nanuk cases into fully equipped mobile workstations, making them ideal for professionals in demanding environments.

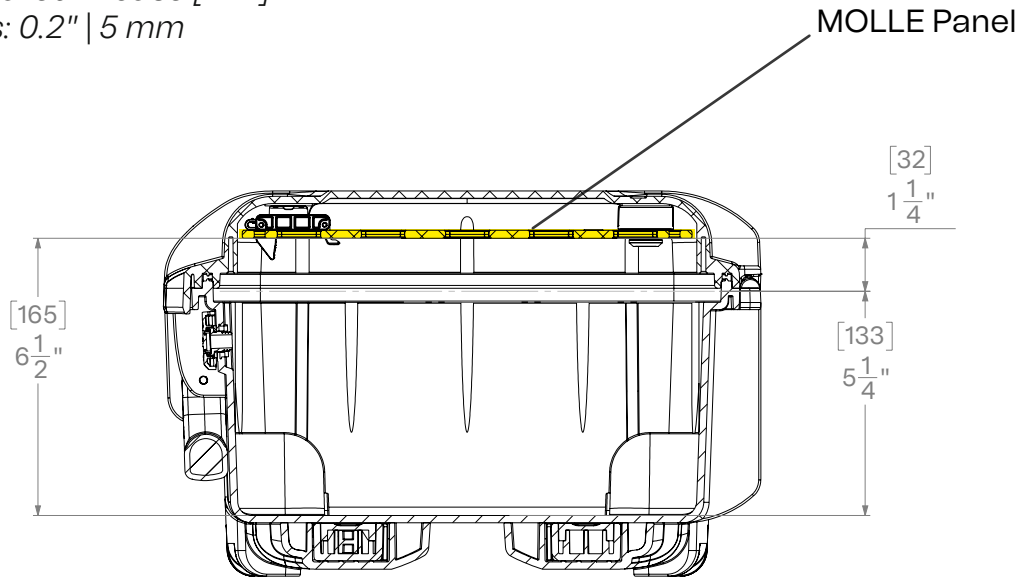


UPC Code	Item Number	Description
66636511869	30-90053-K	Molle Panel for Nanuk Case 935_Kit

MOLLE Panel

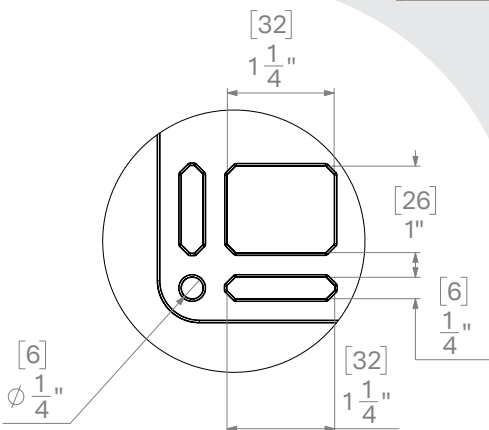
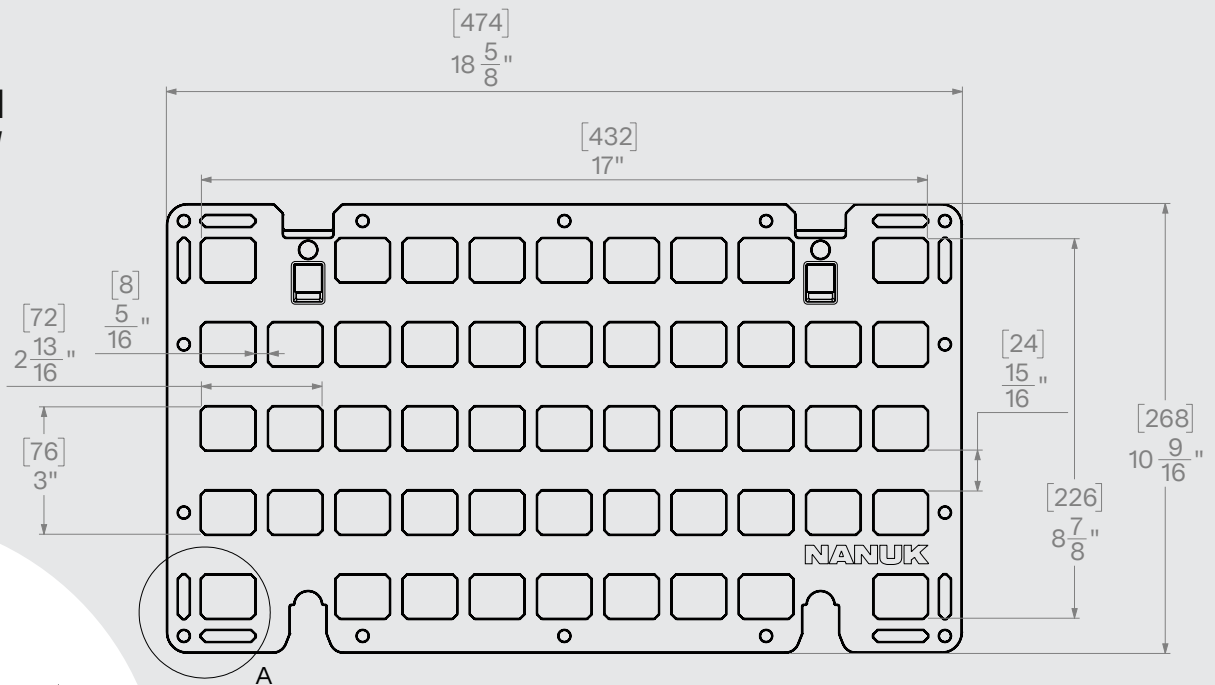
Dimensions/Installed in case [mm]

Panel Thickness: 0.2" | 5 mm



MOLLE Panel

Dimensions [mm]



Detail Scale 1:1.5